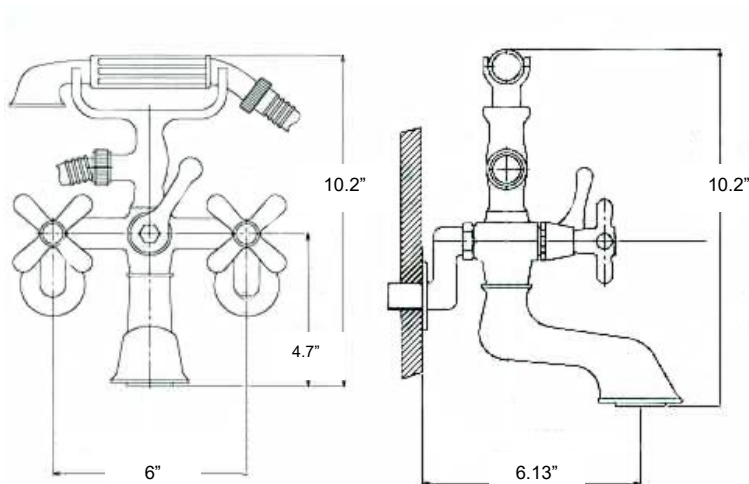


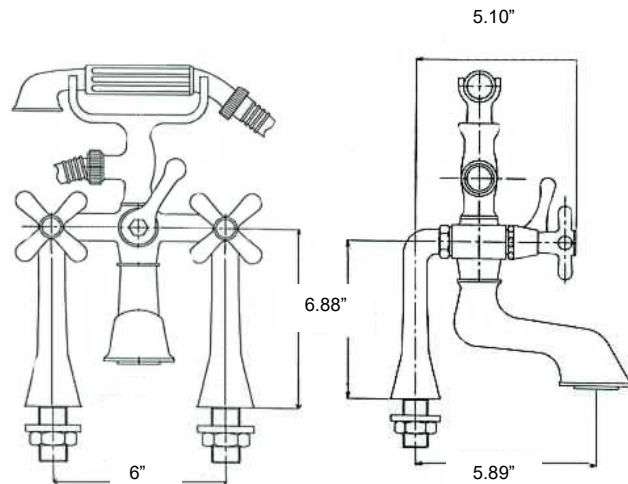
800 Series (w/ swivel unions)

Models: 800CSA, 803CSA, 808CSA



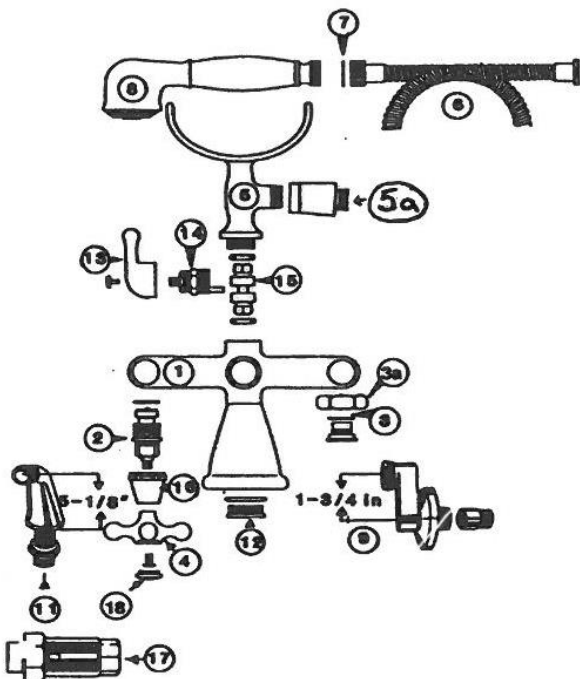
800P Series (w/ deck mount pillars)

Models: 800CSA/P, 803CSA/P, 808CSA/P



- Swivel unions adjust from 3.5"-9"
- 1/2" M connections to supplies
- Handshower flow rate: 8.3L/min max

- Pillars have 1/2" M connections to supplies



Parts Breakdown:

All component model numbers are chrome finish only, for all other finishes, please indicate the finish on your purchase order.

1. 800LC (Faucet body only w/ cross handles) / 800LC/L (faucet body only w/ lever handles)
2. 00033RC (cold ceramic cartridge) / 00033RH (hot ceramic cartridge)
3. 800/106S (Seat & washer)
- 3a. 800/1060N (3/4" swivel nut)
4. 800/6200 (cross handle), 800/6016 (white lever handle), 800/6010 (metal lever handle)
5. 800/E809 (Faucet cradle)
- 5a. V000275 (Vacuum breaker)
6. 91300 (59" metal hose)
7. 7 (Flow restrictor)
8. 800/1021 (Chrome and white handshower)
9. 555 (Adjustable swivel unions)
11. 9601 - 7" tall deck pillars
12. 800/1064 (Aerator)
13. 800/1047 (Diverter handle & screw)
14. 800/1060S (Diverter stem)
15. 800/1059 (Diverter piston)
16. 800/6200F (Cartridge flange cover)
18. 800/6200B (Index button)

All measurements are approximate and may change without notice. It is recommended to have product on-site prior to installing plumbing rough-in.